



1/4 " NPT fixed;  
2 " [50 mm] length

1/2 " NPT adjustable compression fitting;  
6 " [150 mm] length

- Cooling Water and Fluids
- Leak Detection
- Lubricant Flow Assurance
- Ventilation Verification
- Chemical Injection Assurance
- Nitrogen Purge Verification
- Compressor Leakage

Wherever detection and user warning of a flow rate that is either too high or too low is required, the FS10i is the solution. For either liquids or gases, the FS10i is a flow sensing instrument that provides a highly accurate, repeatable and fast-responding flow trip point or alarm setting. The FS10i comes standard with both a 1A relay output for alarm/trip point setting, and a 4-20mA analog output for trending and monitoring. The trip point can be set as high or low, and can be adjusted with hysteresis and/or time delay. The FS10i is easily set-up in the field using either the two-button keypad, or with a PC connection to the FS10i's serial port. The instrument features a ten (10) LED array to indicate actual flow range and, when trip point is reached, the LED will begin to flash to provide an immediate visual indication to the user. To ensure best performance and installation ease, the FS10i is available in a choice of three flow element lengths (insertion depth) and process connections: a 2 inch [50 mm] length with a 1/4 " NPT (M); or a 6 inch [150 mm] length, variable depth, with 1/2 " NPT (M) compression fitting, with either a Teflon or metal ferrule.

The FS10i is the only product in its class to carry a SIL 2 compliance rating with a 90% Safe Failure Fraction (SFF).

## FS10i Features

- For Liquid or Gas Flow Detection
- Relay and 4-20 mA Monitoring Outputs Standard
- Ultra Reliable, No Moving Parts Design
- Easy, User Set-up
- 10 LED Display Array and Two-Button Key Pad
- SIL 2 Compliance Rating
- Optional Div 2 / Zone 2 Approvals
- Standard M12 connection to electronics

## FS10i Specifications

### Instrument

**Measuring Principal:** Thermal dispersion

**Response Time:** 4 sec. (1 time constant)

**Process Connections:** 1/4 " NPT (M) or 1/2 " NPT (M) compression fitting with either Teflon or metal ferrule

**Repeatability:**  $\pm 0.5\%$  of reading

### Agency Approvals

FM, FMC	Nonincendive, Class I Division 2 Groups A, B, C, D; Class II, Division 2 Groups E, F, G; Class III, T4@Ta=71°C, Type 4X
ATEX, IECEx,	Nonincendive for gas and dust, Zone 2
EAC (TRCU) Russia*	II 3 G Ex nA IIC T4 Gc II 3 D Ex tc IIIC T81 °C Dc IP64

\* Pending; contact FCI for current status

Ingress Protection IP65, IP66, IP67 in non-hazardous locations

CE Marking, CRN, complies with Canadian Electrical code requirements of ANSI/ISA 12.27.01-2011 as a single seal device

IEC 61508 (SIL) SIL 2 Compliant; Safe Failure Fraction (SFF) 90%

**Warranty:** 1 Year

### Flow Element

#### Materials of Construction (Wetted Parts)

316L SS with Hastelloy-C22 thermowells

#### Flow Sensitivity/Setpoint Range

Water: 0.01 FPS to 0.5 FPS [0,003 MPS to 0,15 MPS]

Air: 0.25 FPS to 400 SFPS [0,076 MPS to 122 MPS]

**Repeatability:**  $\pm 0.5\%$  of reading

**Temperature Coefficient** For temperatures  $> \pm 30\text{ }^{\circ}\text{F}$  [ $\pm 16\text{ }^{\circ}\text{C}$ ]

Gas: Maximum  $\pm 0.025\%$  of reading/ $^{\circ}\text{F}$  up to 250 $^{\circ}\text{F}$  [ $\pm 0,05\%$  of reading/ $^{\circ}\text{C}$  up to 121 $^{\circ}\text{C}$ ]

Liquid: Maximum  $\pm 0.2\%$  of reading/ $^{\circ}\text{F}$  up to 250 $^{\circ}\text{F}$  [ $\pm 0,367\%$  of reading/ $^{\circ}\text{C}$  up to 121 $^{\circ}\text{C}$ ]

*FS10i specifications continued on next page*

## FS10i Specifications

FS10i specifications continued from previous page

### Sensor

#### Operating Temperature

-40 °F to 250 °F [-40 °C to 121 °C]

Teflon ferrule maximum temperature is 200 °F [93 °C]

#### Operating Pressure

2000 psi [138 bar]

Teflon ferrule maximum pressure is 150 psig [10 bar(g)]

#### Insertion "U" lengths

2" [50 mm] fixed

6" [150 mm] with variable insertion depth, compression fitting with Teflon or metal ferrule

### Electronics

#### Display

10 segment LED array, sequential lighting related to flow rate and flashing when trip point exceeded

#### Output Signals

Relay: SPDT, 1A @ 24 Vdc, 120 Vac

Analog: 4-20 mA trending \*

Serial: RS232C I/O

\* 500 ohm maximum load; user scalable, general purpose, uncalibrated output proportional to flow rate for trend monitoring or assignable to temperature; fault indication per NAMUR NE43 guidelines, user-selectable for high (>21.0 mA) or low (<3.6 mA) default

For linearized and calibrated analog outputs, see FCI's line of thermal mass flow meter products

#### Operation

Two top-mounted buttons to program switch/trip point, zero and span setting, fail-safe, relay hysteresis and relay time delay; button operation may be user disabled to prevent unwanted changes; all set-up function are also user programmable via the RS232C serial port

**Trip Point Hysteresis Control:** 0-100% of span

**Trip Point Time Delay:** user settable for 0-65,000 seconds

**Input Power:** 24 Vdc (21.5 Vdc to 30 Vdc); 2.5 watts maximum

**Operating Temperature:** -40 °C to 160 °F [-40 °C to 71 °C]

### Enclosure / Housing

**Material:** stainless steel body; aluminum end-cap/top with polyester overlay and clear, silicone sheath impact guard

#### Protection Ratings

Non-Ex installations: IP65, IP66, IP67

FM, FMc approved: NEMA 4X

ATEX, IECEx approved: IP64

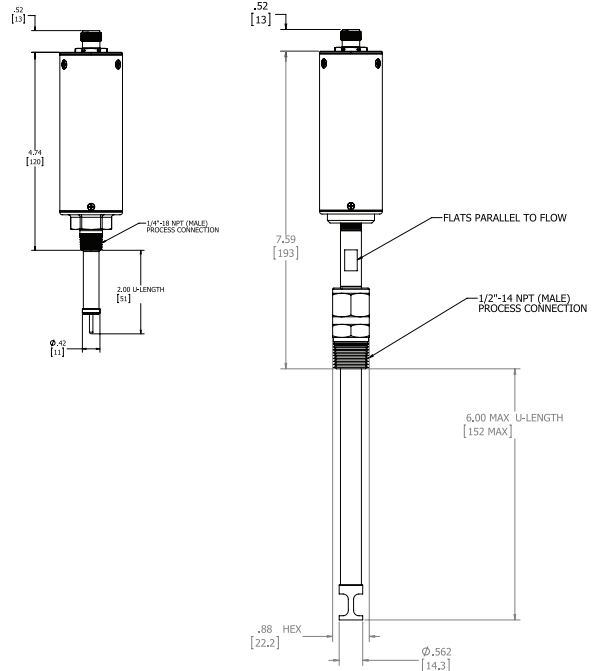
**FCI** FLUID COMPONENTS  
INTERNATIONAL LLC

Locally Represented By:

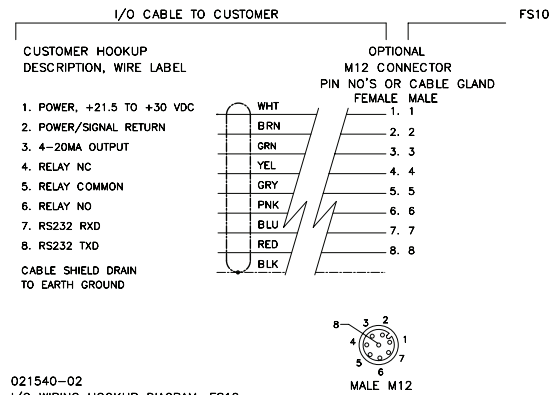
0217 0K

## Dimensional Drawings

### Integral Mount



## Input/Output Wiring Diagrams



**DASTEC**

Representantes / Distribuidores Exclusivos

Argentina

Tel: (+54 11) 5352 2500  
Email: [info@dastecsrl.com.ar](mailto:info@dastecsrl.com.ar)  
Web: [www.dastecsrl.com.ar](http://www.dastecsrl.com.ar)

Uruguay [www.dastecsrl.com.uy](http://www.dastecsrl.com.uy)

Paraguay [www.dastecsrl.com.py](http://www.dastecsrl.com.py)

Bolivia [www.tecdas.com.bo](http://www.tecdas.com.bo)