

SENTRY FLO-LENZ SIGHT FLOW INDICATOR

Manual Sampling Accessories

MANUAL SAMPLING

The Sentry® Flo-Lenz sight flow indicator allows operators to confirm that a sample stream is flowing as specified through a process, without disrupting the process or flow. Sight flow indicators provide a safe way for operators to visually monitor high pressure and/or high temperature closed-loop sampling processes.

Sentry Flo-Lenz sight flow indicators are safety tested to 150% of the rated pressure to assure safe, dependable service.

The Flo-Lenz sight flow indicator has threaded process connections, two viewing windows, and a body of 316 stainless steel. Through double windows, one on the front and one on the side, a Teflon ball is visible at a flow rate beginning at approximately 50 cc/min. The operator can flash light through the side window to watch the flow.

The Flo-Lenz sight flow indicator can be used for hydrocarbon and water-based liquids.

MODEL

Flo-Lenz

BENEFITS

The Flo-Lenz sight flow indicator offers a cost-effective, safe method to view a process sample stream as it is flowing through a process, without interruption of the process or flow.

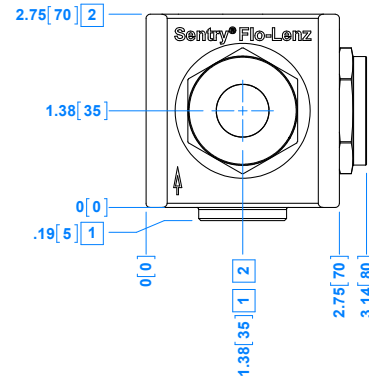
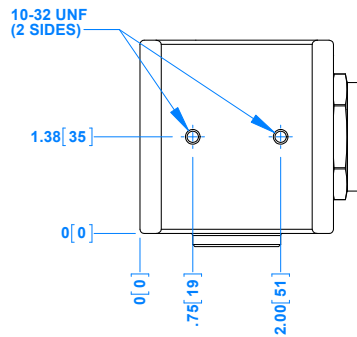
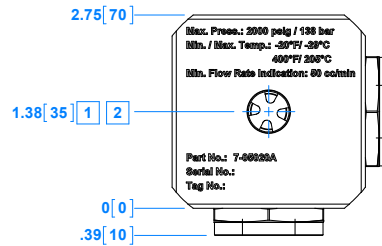
Value-priced, the indicator is manufactured of quality materials to assure long, dependable service.

FEATURES

- Available with 3/8-inch NPT threaded connections
- Maximum operating pressure of 2000 psi (138 bar)
- Hydrostatically tested to 150% of rated pressure
- Maximum temperature range from -20° to 400°F (-28° to 205°C)
- One-piece 316 stainless steel body construction
- Sight glasses allow observation of flow characteristics
- Includes dual windows for illumination of float ball



CONNECTION IDENTIFICATION		
I.D.	DESCRIPTION	SIZE
1	INLET	3/8" FNPT
2	OUTLET	3/8" FNPT



SPECIFICATIONS

materials	body, cap: 316/316L stainless steel float ball: Teflon® sight glass: soda lime silica glass elastomers: Viton® or Kalrez®
mounting holes	10-32 threads located on two sides
process connection	3/8 in NPT
pressure rating	2000 psi (138 bar) MOP
temperature range	-20° to 400°F (-28° to 205°C)
flow rate	50 cc/min to 500 cc/min
particle size	.06 in max
part numbers	Viton: 7-05020A Kalrez: 7-05020B
certifications/registrations	CRN pending

Teflon, Viton and Kalrez are registered trademarks of E. I. Du Pont de Nemours and Company.



Representantes / Distribuidores Exclusivos

Argentina

Tel: (+54 11) 5352 2500

Email: info@dastecsr.com.ar

Web: www.dastecsr.com.ar

Uruguay www.dastecsr.com.uy

Paraguay www.dastecsr.com.py

Bolivia www.tecdas.com.bo



COMPANY WITH
QUALITY SYSTEM
CERTIFIED BY DNV GL
= ISO 9001 =