

SENTRY ISOLOK SAE SAMPLER

Point Samplers



AUTOMATIC SAMPLING

The Sentry® ISOLOK® SAE automatic point sampler is a larger capacity sampler that can handle large particles. It captures a volume of approximately 100 cc per cycle of particle sizes up to 3/4 inch (19 mm) without shearing or degrading the sampled material. An auxiliary top body port enables air ejection of non-free flowing materials.

An air cylinder extends a single plunger into the process material, then immediately withdraws, carrying a fixed amount of sample trapped in an annular ring between plunger seals. Process or flow ports are always closed, preventing leaks or product loss. There are no tubes or passages to become clogged. The gravity-discharged sample is transferred directly to a closed container.

MODELS

ISOLOK SAE

BENEFITS

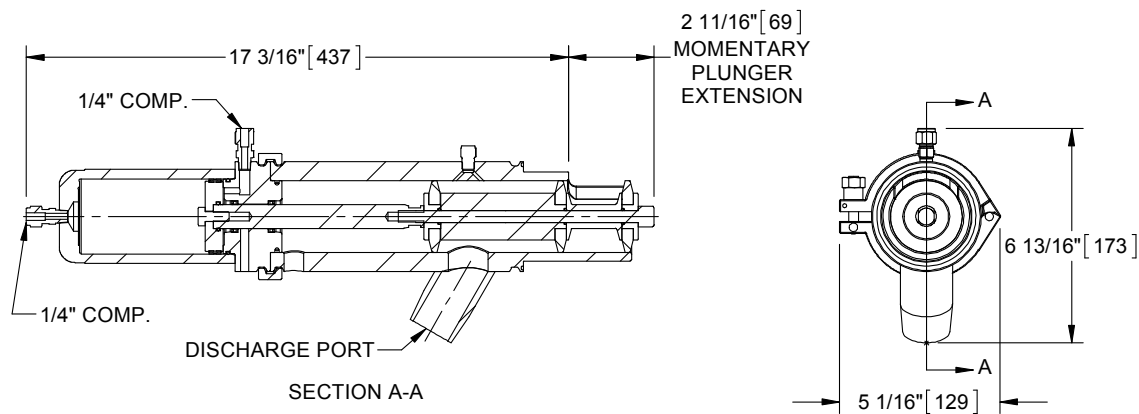
The Sentry ISOLOK SAE sampler seal design isolates the operator from the process at all times, with the sample captured in the container "locked out" from external influences. The samplers can be used for composite, batch or analysis sampling techniques. Composite sampling is accomplished by obtaining a series of precisely measured material samples at set intervals or adjusted in response to product flow. Samples can be collected in shared or individual containers. Batch or analysis sampling in response to immediate need or on-line process control interface is facilitated using single or rapid-cycling material withdrawal.

A complete line of programmable automatic sampler controllers is available for use in general purpose as well as hazardous environments.

FEATURES

- Collects samples from slide or vertical drop chutes or direct from open processes
- Single moving part collects accurate and repeatable 90 or 100 cc sample volume
- Can accommodate particle sizes up to 3/4 inch (19 mm) without shearing or degrading sample material
- Rugged 316 stainless steel construction features chrome-hardened body bore
- Field-replaceable, application-specific seals include EPDM, polyurethane elastomers and more
- Extended body with 4-inch (10 cm) plunger stroke ideal for sample collection inside heavy-body/double-wall vessels
- Features heavy-duty 3-inch (7.6 cm) clamp ferrule and smooth-bore mounting port for easy installation
- ATEX-compliant models available





SPECIFICATIONS

sample volume per cycle	90 or 100 cc
maximum particle size	0.75 in (19 mm)
maximum cycle frequency	10 strokes per minute, depending on application
materials	316 stainless steel; other materials available
actuator seals	filled Teflon®; other materials available
static seals	fluoroelastomer; other materials available
plunger seals	polyurethane, EPDM rubber; other materials available
sample temperature range	-40°F to 575°F (-40°C to 302°C), depending on seal material and duty cycle
ambient operating temperature range	-5° to 131°F (-20° to 55°C) depending on seal material
line mount adapter type	3 in (7.6 cm) clamp ferrule
compressed air requirement	2 SCFM at 30 to 120 psig (2.1 to 8.3 barg)
dimensions	18.2 in x 6.5 in (462 mm x 165 mm)
shipping weight	29 lb (13.2 kg)



Representantes / Distribuidores Exclusivos

Argentina

Tel: (+54 11) 5352 2500
 Email: info@dastecsrl.com.ar
 Web: www.dastecsrl.com.ar

Uruguay www.dastecsrl.com.uy

Paraguay www.dastecsrl.com.py

Bolivia www.tecdas.com.bo



COMPANY WITH
 QUALITY SYSTEM
 CERTIFIED BY DNV GL
 = ISO 9001 =