

## Overview



The SITRANS FMS500 is a magnetic flowmeter sensor suitable for volume flow measurement of liquids (conductive) and is the ideal product for applications in water abstraction, wastewater treatment, water distribution networks, and irrigation.

The rugged, fully welded design supports direct burial, constant flooding and to stand up a wide range of harsh chemicals found in water-based applications in many different industries.

Designed for highly accurate measurement in low-flow conditions, these meters can measure from very low velocities up to 10 m/s, giving it a very wide measurement range.

Combined with a flowmeter transmitter it is a traditional externally powered electromagnetic flowmeter system

## Benefits

- Zero Up and Zero Down installation capabilities
- NBR rubber liner for all water and wastewater applications
- EPDM liner specifically for drinking water applications requiring special approvals
- Soft elastomer facing provides high abrasion resistance
- Increased low flow accuracy for water leak detection
- Rugged construction with no moving parts for maintenance-free operation over many years
- Simple on-site upgrade to IP68 of a standard sensor allowing underground installation, permanent immersion or underwater installation
- Integrated grounding electrodes – no grounding rings required for many applications
- Short delivery time
- Built-in length according to ISO 20456 (up to DN 400 mm)
- SENSORPROM™ Technology provides an automatic upload of start-up settings and calibration data for easy commissioning
- Designed to allow in-situ verification for easy performance check
- In conformity with ISO 4064, OIML R49 and EN 14154
- Custody transfer approvals for cold water billing (MI-001)

## Application

- Water abstraction
- Water treatment
- Water distribution network (leak detection management)
- Custody transfer water meters
- Irrigation
- Waste water treatment
- Filtration plant (e.g. reverse osmosis and ultra-filtration)
- Industrial water applications

The SITRANS FMS500 with its NBR or EPDM rubber lining is a flow meter sensor for all kinds of water applications such as ground water, potable water, cooling water, wastewater, sewage, or sludge applications.

Connected to the compatible transmitter SITRANS FMT020, either mounted remotely or as a compact unit, it forms the magnetic flow meter system SITRANS FM520 which can be used in almost all general-purpose water applications.

### SITRANS FM520

Perfect match for a cost-effective solution for all water and wastewater applications. Standard measuring accuracy  $\pm 0.4\%$  of the actual flow rate, optional a high accuracy calibration with  $\pm 0.2\%$  of flow actual rate is available.

## SITRANS FM (electromagnetic)

## Flow sensors

## SITRANS FMS500

## Selection and ordering data

Sensor SITRANS FMS500	Article No. 7ME653- • - • • • • • - 1 • A •
Click on the Article No. for the online configuration in the PIA Life Cycle Portal.	
<b>Transmitter variant</b>	
No transmitter (sensor only)	0
Transmitter SITRANS FMT020	2
<b>Diameter</b>	
DN 15, ½ inch	1 V
DN 25, 1 inch	2 D
DN 40, 1½ inch	2 R
DN 50, 2 inch	2 Y
DN 65, 2½ inch	3 F
DN 80, 3 inch	3 M
DN 100, 4 inch	3 T
DN 125, 5 inch	4 B
DN 150, 6 inch	4 H
DN 200, 8 inch	4 P
DN 250, 10 inch	4 V
DN 300, 12 inch	5 B
DN 350, 14 inch	5 D
DN 400, 16 inch	5 H
DN 450, 18 inch	5 K
DN 500, 20 inch	5 R
DN 600, 24 inch	5 Y
DN 700, 28 inch	6 B
DN 750, 30 inch	6 D
DN 800, 32 inch	6 H
DN 900, 36 inch	6 K
DN 1000, 40 inch	6 R
DN 1050, 42 inch	6 Y
DN 1100, 44 inch	7 D
DN 1200, 48 inch	7 H
DN 1400, 54 inch	7 M
DN 1500, 60 inch	7 R
DN 1600, 64 inch	7 V
DN 1800, 72 inch	7 Y
DN 2000, 80 inch	8 B
<b>Process connection</b>	
EN 1092-1 PN 6 flanges	A
EN 1092-1 PN 10 flanges	B
EN 1092-1 PN 16 flanges (PED compliant)	C
EN 1092-1 PN 16 flanges, non-PED type of equipment (excluded from scope of PED 2014/68/EU)	D
EN 1092-1 PN 40 flanges	F
ANSI B16.5 Class 150 flanges	J
AWWA C-207 Class D flanges	M
AS 4087 PN 16 flanges	S
JIS B 2220:2004 10K flanges	W
<b>Process connection material</b>	
Carbon steel ASTM A 105 with corrosion-resistant coating acc. to EN ISO 12944 grade C4	0
Carbon steel ASTM A 105 with corrosion-resistant coating acc. to EN ISO 12944 grade C5 (300 µm)	1
<b>Liner material</b>	
EPDM	2
NBR	3
<b>Electrode material</b>	
Hastelloy C276 / 2.4819	1
<b>Transmitter mounting &amp; enclosure type</b>	
No transmitter (sensor only)	A
Compact design (integral mount), polycarbonate enclosure	G
Remote design, polycarbonate enclosure (wall-mounting unit and sensor terminal board included)	J

## Selection and ordering data (continued)

Sensor SITRANS FMS500	Article No. 7ME653-
	• - • • • • • - 1 • A •
<b>Power supply</b>	
None (sensor only)	0
12 ... 42 V DC	2
100 ... 240 V AC, 50/60 Hz	3

1) Not concerned by PED

Additional information	Order code
Please add "-Z" to Article No. and specify Order code(s) and plain text.	
<b>Cable glands</b>	
Without cable glands (blind plugs)	A00
M20x1.5 cable glands, material polyamide	A02
M20x1.5 cable glands, Ex, material polyamide	A03
1/2 inch NPT cable glands, material polyamide	A05
1/2 inch NPT cable glands, Ex, material polyamide	A06
<b>Certificates</b>	
Declaration of compliance with the order 2.1 (EN 10204)	C00
Inspection certificate 3.1 (EN 10204) - Material of pressure-containing and wetted parts	C12
Test report 2.2 (EN 10204)	C14
Inspection certificate 3.1 (EN 10204) - Pressure test	C18
<b>High accuracy calibration</b>	
High accuracy calibration +/- 0.2% of the act. vol. flow, DN ≤ 200, ≤ 8 inch	D01
High accuracy calibration +/- 0.2% of the act. vol. flow, DN 250 ... 600, 10 ... 24 inch	D02
High accuracy calibration +/- 0.2% of the act. vol. flow, DN 700 ... 1200, 28 ... 48 inch	D03
High accuracy calibration +/- 0.2% of the act. vol. flow, DN ≥ 1400, ≥ 54 inch	D04
<b>5-point calibration</b>	
5-point factory calibration, DN ≤ 200, ≤ 8 inch	D10
5-point factory calibration, DN 250 ... 600, 10 ... 24 inch	D11
5-point factory calibration, DN 700 ... 1200, 28 ... 48 inch	D12
5-point factory calibration, DN ≥ 1400, ≥ 54 inch	D13
<b>10-point calibration</b>	
10-point factory calibration, DN ≤ 200, ≤ 8 inch	D15
10-point factory calibration, DN 250 ... 600, 10 ... 24 inch	D16
10-point factory calibration, DN 700 ... 1200, 28 ... 48 inch	D17
10-point factory calibration, DN ≥ 1400, ≥ 54 inch	D18
<b>Default matched-pair calibration</b>	
Default matched-pair factory calibration, DN ≤ 200, ≤ 8 inch	D20
Default matched-pair factory calibration, DN 250 ... 600, 10 ... 24 inch	D21
Default matched-pair factory calibration, DN 700 ... 1200, 28 ... 48 inch	D22
Default matched-pair factory calibration, DN ≥ 1400, ≥ 54 inch	D23
<b>5-point matched-pair calibration</b>	
5-point, matched-pair factory calibration, DN ≤ 200, ≤ 8 inch	D25
5-point, matched-pair factory calibration, DN 250 ... 600, 10 ... 24 inch	D26
5-point, matched-pair factory calibration, DN 700 ... 1200, 28 ... 48 inch	D27
5-point, matched-pair factory calibration, DN ≥ 1400, ≥ 54 inch	D28
<b>10-point matched-pair calibration</b>	
10-point, matched-pair factory calibration, DN ≤ 200, ≤ 8 inch	D30
10-point, matched-pair factory calibration, DN 250 ... 600, 10 ... 24 inch	D31

Additional information	Order code
10-point, matched-pair factory calibration, DN 700 ... 1200, 28 ... 48 inch	D32
10-point, matched-pair factory calibration, DN ≥ 1400, ≥ 54 inch	D33
<b>Accredited ISO/IEC 17025 calibration</b>	
ISO/IEC 17025 accredited, 5-point, matched-pair factory calibration, DN ≤ 200, ≤ 8 inch	D35
ISO/IEC 17025 accredited, 5-point, matched-pair factory calibration, DN 250 ... 600, 10 ... 24 inch	D36
ISO/IEC 17025 accredited, 5-point, matched-pair factory calibration, DN 700 ... 1200, 28 ... 48 inch	D37
ISO/IEC 17025 accredited, 5-point, matched-pair factory calibration, DN ≥ 1400, ≥ 54 inch	D38
<b>General safety</b>	
CSA General Purpose	E06
<b>Explosion protection</b>	
ATEX (Europe) & IECEx (World)	E20
FM (USA & Canada)	E22
IECEx (World)	E23
<b>Country specific approvals</b>	
CPA (China)	E75
<b>Drinking water approvals</b>	
WRAS (WRC, BS 6920, GB)	E80
NSF/ANSI 61 (Cold water, US)	E81
ACS (France)	E82
Compliance to Trinkwasserverordnung §14 (Germany)	E83
Belgaqua (Belgium)	E84
AS/NZS 4020 (Australia/New Zealand)	E85
GB/T 5750 (China)	E86
General purpose / Without drinking water approval	E89
<b>Country of origin</b>	
France	E90
<b>Communication</b>	
HART with 4 ... 20 mA output, active or passive	F01
Modbus RTU / RS485	F04
PROFIBUS PA	F05
PROFIBUS DP	F06
PROFINET	F07
EtherNet/IP	F09
MODBUS TCP/IP	F10
<b>I/O extension</b>	
Digital input / output, passive	F30
<b>Custody transfer approval</b>	
Without approval	G00
MI-001 cold water meter	G01
OIML R49 - Class 2 accuracy	G05
OIML R49 - Class 1 accuracy	G06
<b>MI-001 - OIML R49 verification</b>	
No initial verification, without certification, default factory calibration for DN 50 ... 300, 2 ... 12 inch	G10
Dynamic range Q3/Q1 = 40 DN 50 ... 300, 2 ... 12 inch	G11

## SITRANS FM (electromagnetic)

## Flow sensors

## SITRANS FMS500

## Selection and ordering data (continued)

Additional information	Order code
Dynamic range Q3/Q1 = 80 DN 50 ... 300, 2 ... 12 inch	G13
Dynamic range Q3/Q1 = 160 DN 50 ... 300, 1 ... 12 inch	G16
Dynamic range Q3/Q1 = 200 DN 50 ... 300, 2 ... 12 inch	G17
Dynamic range Q3/Q1 = 400 DN 50 ... 300, 2 ... 12 inch	G20
<b>Device options</b>	
Sensor terminal board factory mounted	J00
Sensor cables factory mounted	J01
Factory preconfigured for transmitter mounting in compact design (integral mount)	J02
Display with protection cover	J03
Breathing vent M20 thread, IP67	J04
Breathing vent ½" NPT thread, IP67	J05
Industrial Micro-SD memory card, 20 GB storage capacity	J06
Nameplate in Chinese language	J20
<b>Type of Ex protection</b>	
Increased safety (Ex e) Zone 2	L12
Non-incendive (NI) Class I, Division 2	L15
<b>Type of protection (IP)</b>	
IP68 (NEMA 6P) protection class for sensor and transmitter, without potting (to 2 m depth, 10 days)	L50
IP68 (NEMA 6P) protection class for sensor in remote design, factory potted (to 10 m depth, continuously)	L51
<b>Sensor cables</b>	
Cable kit with coil and electrode cable, standard type (3 × 1.5 mm <sup>2</sup> ), PVC jacket	
• 5 m (16 ft)	T00
• 10 m (33 ft)	T01
• 20 m (65 ft)	T03
• 30 m (98 ft)	T05
• 40 m (131 ft)	T06
• 50 m (164 ft)	T07
• 60 m (197 ft)	T08
• 100 m (328 ft)	T11
• 150 m (492 ft)	T14
• 200 m (656 ft)	T16
• 500 m (1640 ft)	T18
Cable kit with coil cable standard type (3 × 1.5 mm <sup>2</sup> ) and electrode cable special type (3 × 0.25 mm <sup>2</sup> ), PVC jacket	
• 5 m (16 ft)	T50
• 10 m (33 ft)	T51
• 15 m (49 ft)	T52
• 20 m (65 ft)	T53
• 25 m (82 ft)	T54
• 30 m (98 ft)	T55
• 40 m (131 ft)	T56
• 50 m (164 ft)	T57
• 60 m (197 ft)	T58
• 100 m (328 ft)	T61

Additional information	Order code
• 150 m (492 ft)	T64
• 200 m (656 ft)	T66
• 500 m (1640 ft)	T68
<b>Device settings</b>	
Measuring range: Upper range value (Q <sub>max</sub> ), unit	Y01
Current output damping	Y02
Current output signal range (Default setting: 4 ... 20 mA NAMUR)	Y03
Low flow cut off	Y04
Flow direction (Default setting: Positive)	Y05
Empty pipe detection (Default setting: Off)	Y06
Mains frequency (Default setting: 50 Hz)	Y07
Operation language display (Default setting English)	Y24
Device address (PROFIBUS 0 ... 125)	Y25
<b>Device identification</b>	
Location designation (TAG), device parameter and stainless-steel plate for transmitter (max. 32 characters)	Y11
Measuring point description, device parameter and stainless-steel plate for transmitter (max. 32 characters)	Y12
Location designation (TAG), device parameter and adhesive label for transmitter (max. 32 characters)	Y13
Measuring point description, device parameter and adhesive label for transmitter (max. 32 characters)	Y14
Location designation (TAG), device parameter and stainless-steel plate (max. 32 characters)	Y15
Measuring point description, device parameter and stainless-steel plate (max. 32 characters)	Y16
Location designation (TAG), device parameter and adhesive label (max. 32 characters)	Y18
Measuring point description, device parameter and adhesive label (max. 32 characters)	Y19
<b>Totalizer 1 settings</b>	
Preset value	Y30
Unit (Default setting: m <sup>3</sup> )	Y31
Direction (Default setting: Forward counting)	Y32
Failure mode (Default setting: Continue counting)	Y33
Decimal places (Default setting: 2)	Y34
<b>Totalizer 2 settings</b>	
Preset value	Y35
Unit (Default setting: m <sup>3</sup> )	Y36
Direction (Default setting: Backward counting)	Y37
Failure mode (Default setting: Continue counting)	Y38
Decimal places (Default setting: 2)	Y39
<b>Totalizer 3 settings</b>	
Preset value	Y40
Unit (Default setting: m <sup>3</sup> )	Y41
Direction (Default setting: Forward / backward counting, net)	Y42
Failure mode (Default setting: Continue counting)	Y43
Decimal places (Default setting: 2)	Y44
<b>Pulse output settings</b>	
Volume per pulse	Y50
Pulse width	Y51

## Technical specifications

SITRANS FMS500 flowmeter sensor	
Product characteristic	For demanding applications in the water & wastewater industry
Measurement of	Volume flow, flow velocity, electrical conductivity
Nominal diameter	Coned sensor (octagon liner): DN 15 ... 40 (½" ... 1½") Coned sensor: DN 50 ... 300 (2" ... 12") Full bore sensor: DN 350 ... 2000 (14" ... 80")
Mode of operation	Electromagnetic induction
Measuring principle	Liquids with an electrical conductivity $\geq 5 \mu\text{S/cm}$
Medium conductivity	
Excitation frequency (mains supply: 50 Hz / 60 Hz)	DN 15 ... 65 (½" ... 2½"): 12.5 Hz / 15 Hz DN 80 ... 150 (3" ... 6"): 6.25 Hz / 7.5 Hz DN 200 ... 300 (8" ... 12"): 3.125 Hz / 3.75 Hz DN 350 ... 2000 (14" ... 80"): 1.5625 Hz / 1.875 Hz
Performance characteristics	Repeatability: Max. $\pm 5\%$ of measured value <sup>2)</sup>
Electrical conductivity	
Process connection	
Flanges <sup>1)</sup>	
• EN 1092-1	PN 6 (87 psi): Raised face DN 1400 ... 2000 (54" ... 80") PN 10 (145 psi) Flat face DN 200 ... 300 (8" ... 12") PN 10 (145 psi) Raised face DN 350 ... 2000 (14" ... 80") PN 16 (232 psi) Flat face DN 50 ... 300 (2" ... 12") PN 16 (232 psi) Raised face DN 350 ... 1200 (14" ... 48") PN 40 (580 psi) Flat face DN 15 ... 40 (½" ... 1½")
• ANSI B16.5	Class 150 Flat face ½" ... 12" Class 150 Raised face 14" ... 24"
• AWWA C-207	Class D Flat face 28 ... 80"
• AS/NZS 4087	PN 16 (232 psi) Flat face DN 50 ... 300 (2" ... 12") PN 16 (232 psi) Raised face DN 350 ... 1200 (14" ... 48")
• JIS B 2220:2004	10K DN 15 ... 600 (1" ... 24")
Rated operating conditions	
Ambient temperature	
• Sensor	-20 ... +70 °C (-4 ... +158 °F)
• Compact with transmitter	-20 ... +65 °C (-4 ... +149 °F)
Operating pressure (abs) (maximum operating pressure depending on flange type)	DN 15 ... 40 (1/2" ... 1 1/2"): 0.01 ... 40 bar (0.15 ... 580 psi) DN 50 ... 300 (2" ... 12"): 0.03 ... 20 bar (0.44 ... 290 psi) DN 350 ... 1200 (14" ... 48"): 0.01 ... 16 bar (0.15 ... 232 psi) DN 1400 ... 2000 (54" ... 80"): 0.01 ... 10 bar (0.15 ... 145 psi)
Protection class	
• Standard	IP66/67, NEMA 4X/6
• Optional	IP68 and NEMA 6P (2 m, 10 days) for sensor in compact (integral mount) and remote design IP68 and NEMA 6P (10 m, continuously) for sensor in remote design
Mechanical load (vibration)	
• Integral mount / compact version	Vibration, sinusoidal according to IEC 60068-2-6 • 2 ... 4 Hz, 3.5 mm peak • 8.4 ... 500 Hz, 1 g peak Vibration broad-band random, according to IEC 60068-2-64 • 10 ... 200 Hz, 0.003 g <sup>2</sup> /Hz • 200 ... 500 Hz, 0.001 g <sup>2</sup> /Hz • Total: 1.54 g rms
• Remote version	Vibration, sinusoidal according to IEC 60068-2-6 Sensor • 2 ... 8.4 Hz, 7.5 mm peak • 8.4 ... 500 Hz, 2 g peak Transmitter • 2 ... 8.4 Hz, 1.5 mm peak • 8.4 ... 500 Hz, 0.7 g peak



Siemens Solution Partner - Automation

Argentina

Tel: (+54 11) 5352 2500

Email: info@dastecsr.com.ar

Web: www.dastecsr.com.ar

# SITRANS FM (electromagnetic)

## Flow sensors

### SITRANS FMS500

#### Technical specifications (continued)

SITRANS FMS500 flowmeter sensor	
<ul style="list-style-type: none"> <li>Remote version</li> </ul>	Vibration broad-band random, according to IEC 60068-2 64 Sensor <ul style="list-style-type: none"> <li>10 ... 200 Hz, 0.01 g<sup>2</sup>/Hz</li> <li>200 ... 500 Hz, 0.003 g<sup>2</sup>/Hz</li> <li>Total: 1.54 g rms</li> </ul> Transmitter <ul style="list-style-type: none"> <li>10 ... 200 Hz, 0.003 g<sup>2</sup>/Hz</li> <li>200 ... 500 Hz, 0.001 g<sup>2</sup>/Hz</li> <li>Total: 1.54 g rms</li> </ul>
Process temperature <ul style="list-style-type: none"> <li>NBR liner</li> <li>EPDM liner</li> </ul>	-10 ... +70 °C (14 ... 158 °F) -10 ... +70 °C (14 ... 158 °F)
<b>Pressure drop</b>	DN 15 and 25 (½" and 1"): Max. 20 mbar (0.29 psi) at 1 m/s (3 ft/s) DN 40 ... 300 (1½" ... 12"): Max. 25 mbar (0.36 psi) at 3 m/s (10 ft/s) DN 350 ... 2000 (14" ... 80"): Insignificant
<b>Test pressure</b>	1.5 × PN (where applicable)
<b>Design</b>	
Dimensions	See dimensional drawings
Weight	See dimensional drawings
Material	
<ul style="list-style-type: none"> <li>Housing and flanges</li> <li>Measuring electrode</li> <li>Grounding electrode</li> <li>Measuring tube <sup>2)</sup></li> <li>Terminal box</li> </ul>	Carbon steel ASTM A 105 with corrosion resistant coating of Class C4 or C5 (durability up to 15 years) EN ISO 12944 Hastelloy C276 / 2.4819 Hastelloy C276 / 2.4819 Stainless steel AISI 304 / 1.4301 Polycarbonate
Cable entries	4 × metric thread (size M20 × 1.5)
<b>Calibration</b>	
Standard	Zero-point, 2 × 25 % and 2 × 90 %
Optional	<ul style="list-style-type: none"> <li>5-point calibration: 20 %, 40 %, 60 %, 80 %, 100 % of factory Q<sub>max</sub></li> <li>10-point calibration: ascending and descending at 20 %, 40 %, 60 %, 80 %, 100 % of factory Q<sub>max</sub></li> <li>Matched pair calibration: default, 5-point or 10-point</li> <li>ISO/IEC 17025 accredited, 5-point, matched-pair calibration</li> </ul>
<b>Certificates and approvals</b>	
General purpose	CE (LVD, PED, EMC, RoHS), UKCA
Drinking water	<ul style="list-style-type: none"> <li>WRAS (WRc, BS 6920 material approval for cold water, GB)</li> <li>NSF/ANSI Standard 61 (Cold water, US)</li> <li>ACS listed (France)</li> <li>Compliance to Trinkwasserverordnung §14 (Germany)</li> <li>Belgaqua (Belgium)</li> <li>AS/NZS 4020 (Australia/New Zealand)</li> <li>GB/T 5750 (China)</li> </ul>
Custody transfer	<ul style="list-style-type: none"> <li>MI-001 cold water (EU): DN 50 ... 300 (2 ... 12 inch)</li> </ul>
Explosion protection	<ul style="list-style-type: none"> <li>FM - Non-incendive (NI) Class I, Division 2 <sup>4)</sup></li> <li>ATEX / IECEx - Increased safety (Ex e) Zone 2 <sup>4)</sup></li> </ul>
Others	<ul style="list-style-type: none"> <li>Environmental Product Declaration (EPD)</li> <li>MCERTS (GB environmental)</li> <li>EAC (Kazakhstan)</li> </ul>

<sup>1)</sup> DN 750, DN 1050 and DN 1100 (30", 42" and 44") not available with EN 1092-1 (PN 10 and PN 16) and AS 4087 flanges

<sup>2)</sup> The value applies for measurement between 15 µS/cm and 5000 µS/cm at a reference temperature of 25 °C (77 °F)

<sup>3)</sup> DN > 300 (12")

<sup>4)</sup> The Ex variant is only available with IP64 protection and in remote mounting

#### FMS500 (7ME653) with FMT020 (7ME694)

The FMS500 water meter, which combines the FMS500 sensor and FMT020 transmitter, is EU-type approved according to MID Directive

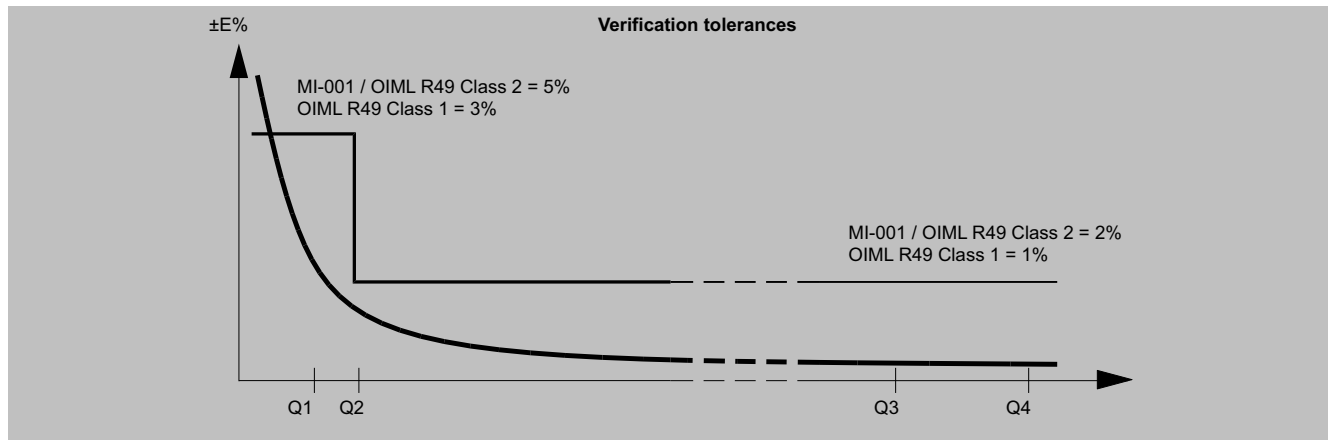
2014/32/EU of the European Parliament and of the Council of 26 February 2014 on Measuring Instruments (Annex III – Water Meters)

### Technical specifications (continued)

MI-001). It also meets OIML R49 recommendations for Class 1 and 2 (Water meters for cold potable water and hot water).

Extensive testing has ensured its superior measurement accuracy, even under challenging inlet and outlet conditions. This allows for flexible installation in tight spaces without the need for pipe re-routing, as the FMS500 functions as a OD/OD device for both Class 1 and Class 2 accuracy, requiring no inlet or outlet sections.

Furthermore, while primarily a cold water meter, the FM520 has been rigorously tested and passed at temperatures up to 50 °C (122 °F), including 30 °C (86 °F). This robust performance means it can be used for custody transfer (CT) purposes up to 50 °C (122 °F).



#### G00 - Without custody transfer approval

Order code: G10

Size	DN 50 (2")	DN 65 (2½")	DN 80 (3")	DN 100 (4")	DN 125 (5")	DN 150 (6")	DN 200 (8")	DN 250 (10")	DN 300 (12")
UxDx	0 x DN								
Orientation	All orientations								
Q3 [m³/h]	63	100	160	250	400	630	1000	1600	1600

#### G01 - MI-001

G05 - OIML R49 Class 2

G06 - OIML R49 Class 1

Order code: G11

Size	DN 50 (2")	DN 65 (2½")	DN 80 (3")	DN 100 (4")	DN 125 (5")	DN 150 (6")	DN 200 (8")	DN 250 (10")	DN 300 (12")
UxDx	0 x DN								
Orientation	All orientations								
"R" Q3/Q1	40	40	40	40	40	40	40	40	40
Q4 [m³/h]	78.75	125	200	312.5	500	787.5	1250	2000	2000
Q3 [m³/h]	63	100	160	250	400	630	1000	1600	1600
Q2 [m³/h]	2.52	4	6.40	10	16	25.20	40	64	64
Q1 [m³/h]	1.58	2.50	4	6.25	10	15.75	25	40	40

#### G01 - MI-001

G05 - OIML R49 Class 2

G06 - OIML R49 Class 1

Order code: G13

Size	DN 50 (2")	DN 65 (2½")	DN 80 (3")	DN 100 (4")	DN 125 (5")	DN 150 (6")	DN 200 (8")	DN 250 (10")	DN 300 (12")
UxDx	0 x DN								
Orientation	All orientations								
"R" Q3/Q1	80	80	80	80	80	80	80	80	80
Q4 [m³/h]	78.75	125	200	312.50	500	787.50	1250	2000	2000
Q3 [m³/h]	63	100	160	250	400	630	1000	1600	1600
Q2 [m³/h]	1.26	2	3.20	5	8	12.60	20	32	32
Q1 [m³/h]	0.79	1.25	2	3.13	5	7.88	12.50	20	20

## SITRANS FM (electromagnetic)

## Flow sensors

## SITRANS FMS500

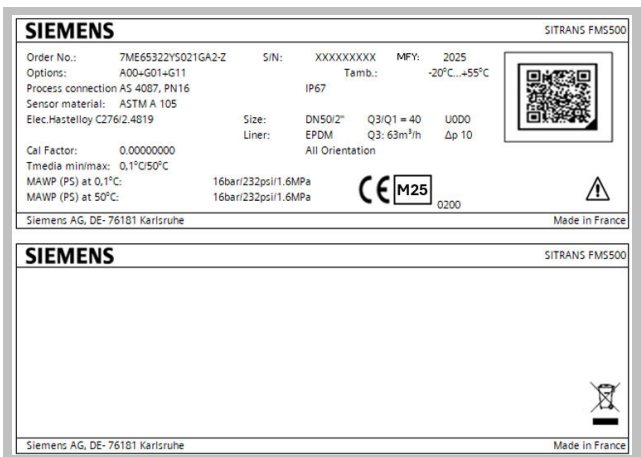
## Technical specifications (continued)

G01 - MI-001 G05 - OIML R49 Class 2 Order code: G16									
Size	DN 50 (2")	DN 65 (2½")	DN 80 (3")	DN 100 (4")	DN 125 (5")	DN 150 (6")	DN 200 (8")	DN 250 (10")	DN 300 (12")
UxDx	0 x DN								
Orientation	All orientations								
"R" Q3/Q1	160	160	160	160	160	160	160	160	160
Q4 [m³/h]	78.75	125	200	312.5	500	787.5	1250	2000	2000
Q3 [m³/h]	63	100	160	250	400	630	1000	1600	1600
Q2 [m³/h]	0.63	1	1.60	2.50	4	6.3	10	16	16
Q1 [m³/h]	0.39	0.63	1	1.56	2.5	3.94	6.25	10	10

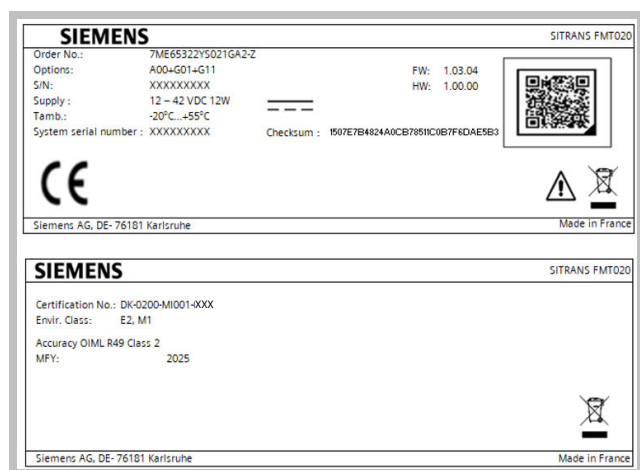
G01 - MI-001 G05 - OIML R49 Class 2 G06 - OIML R49 Class 1 Order code: G17									
Size	DN 50 (2")	DN 65 (2½")	DN 80 (3")	DN 100 (4")	DN 125 (5")	DN 150 (6")	DN 200 (8")	DN 250 (10")	DN 300 (12")
UxDx	0 x DN								
Orientation	All orientations								
"R" Q3/Q1	200	200	200	200	200	200	200	200	200
Q4 [m³/h]	78.75	125	200	312.5	500	787.5	1250	2000	2000
Q3 [m³/h]	63	100	160	250	400	630	1000	1600	1600
Q2 [m³/h]	0.5	0.8	1.28	2	3.2	5.04	8.00	12.8	12.8
Q1 [m³/h]	0.32	0.5	0.8	1.25	2	3.15	5.00	8	8

G01 - MI-001 G05 - OIML R49 Class 2 G06 - OIML R49 Class 1 Order code: G20									
Size	DN 50 (2")	DN 65 (2½")	DN 80 (3")	DN 100 (4")	DN 125 (5")	DN 150 (6")	DN 200 (8")	DN 250 (10")	DN 300 (12")
UxDx	0 x DN								
Orientation	All orientations								
"R" Q3/Q1	400	400	400	400	400	400	400	400	400
Q4 [m³/h]	78.75	125	200	312.5	500	787.5	1250	2000	2000
Q3 [m³/h]	63	100	160	250	400	630	1000	1600	1600
Q2 [m³/h]	0.25	0.4	0.64	1	1.6	2.52	4	6.4	6.4
Q1 [m³/h]	0.16	0.25	0.4	0.63	1	1.58	2.5	4	4

The following label is placed on the sensor terminal box and on the transmitter housing. An example of the product label is shown below:



Sensor label



Transmitter label

FMS20 approvals are valid for:

## Technical specifications (continued)

<b>Sizes</b>	DN 50 ... 300 (2" ... 12")
<b>Performance range</b>	<ul style="list-style-type: none"> <li>• R400 Class 2</li> <li>• R200 Class 1</li> </ul>
<b>Installation</b>	<ul style="list-style-type: none"> <li>• All orientation</li> <li>• Compact or remote with max. 500 m cable</li> <li>• Approved for forward metering but also designed to be used in reverse</li> </ul>
<b>Sensitivity class</b>	U0D0 (The meter requires 0xD straight pipe upstream and 0xD straight pipe downstream from the sensor)
<b>Temperature class</b>	<ul style="list-style-type: none"> <li>• T30 (0.1 ... 30 °C)</li> <li>• T50 (0.1 ... 50 °C)</li> </ul>
<b>Pressure</b>	MAWP 16 (Maximum Allowable Working Pressure)
<b>Electromagnetic class</b>	E2
<b>Mechanical class</b>	M1, Class B and O (building and outdoors)
<b>Climatic class</b>	-20 ... 55 °C (-4 ... 131 °F)
<b>Power supply</b>	<ul style="list-style-type: none"> <li>• 12 ... 42 V DC, 12 W</li> <li>• 100 ... 240 V AC, 50 ... 60 Hz, 25 VA</li> </ul>
<b>Software</b>	Designed according to WELMEC 7.2

<b>Communication modules <sup>1)</sup></b>	HART, PROFINET, MODBUS and ETHERNET IP have been certified and can only be used where national regulations permit it. The reading of ancillary devices may be used for testing and verification and for remote reading of the water meter.
--	--

<sup>1)</sup> Communication module need to be ordered together with the system (FM520), a retrofit of the communication module is not possible since it would break the CT seals.

## Special MI-001 settings:

- Unit: m<sup>3</sup>
- Low flow cut-off: 0.9 mm/s
- Digital output: pulses

For other factory settings, see the operating instructions.



Siemens Solution Partner - Automation

 Argentina

Tel: (+54 11) 5352 2500

Email: [info@dastecsrl.com.ar](mailto:info@dastecsrl.com.ar)

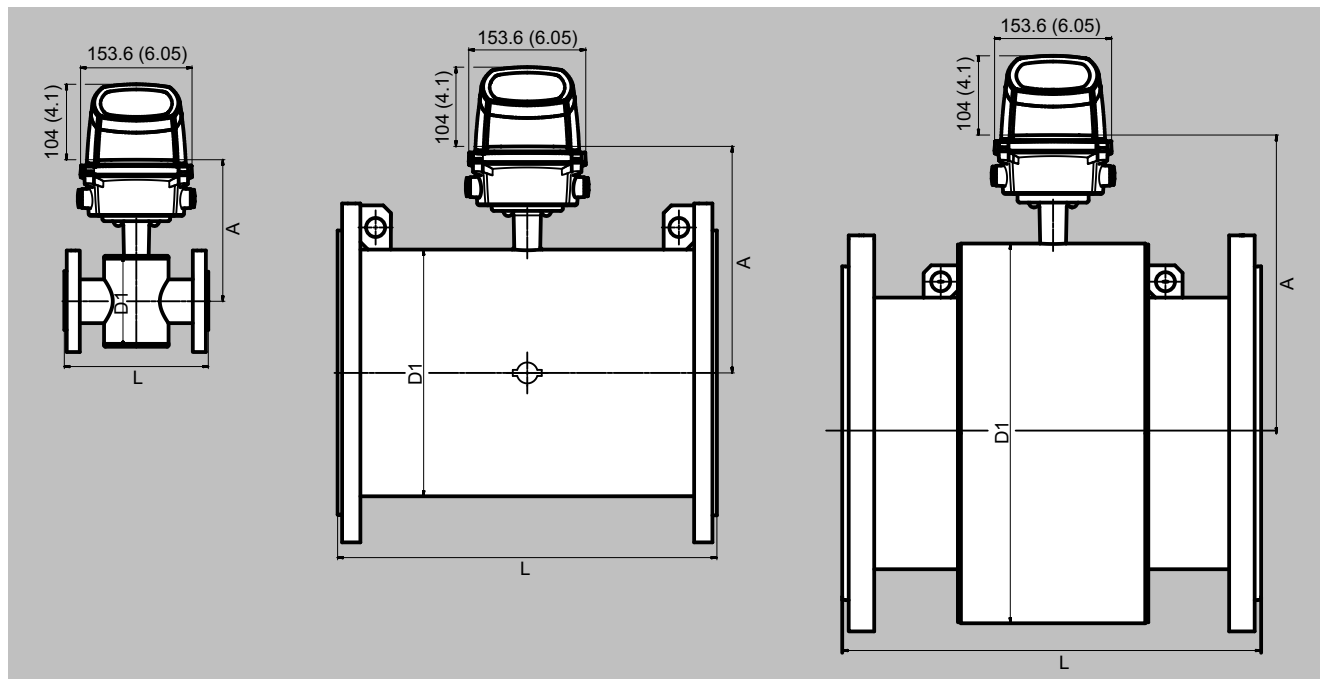
Web: [www.dastecsrl.com.ar](http://www.dastecsrl.com.ar)

## SITRANS FM (electromagnetic)

## Flow sensors

## SITRANS FMS500

## Dimensional drawings



SITRANS FMS500 Sensor: DN 15 ... 40, ½" ... 1½" (left), DN 50 ... 300, 2" ... 12" (middle) and DN 350 ... 2000, 14" ... 80" (right)

## Sensor SITRANS FMS500 (7ME653)

Nominal diameter		A		D1		L <sup>1)</sup>		Weight <sup>1)</sup>	
[mm]	[inch]	[mm]	[inch]	[mm]	[inch]	[mm]	[inch]	[kg]	[lbs]
15	½	170	6.7	77	3.0	200	7.9	5	11
25	1	180	7.1	96	3.8	200	7.9	6	13
40	1½	195	7.7	127	5.0	200	7.9	9	20
50	2	181	7.1	76	3.0	200	7.9	10	22
65	2½	187	7.4	89	3.5	200	7.9	12	26
80	3	193	7.6	102	4.0	200	7.9	13	29
100	4	200	7.9	114	4.5	250	9.8	17	37
125	5	210	8.3	140	5.5	250	9.8	20	44
150	6	225	8.9	168	6.6	300	11.8	27	60
200	8	250	9.8	219	8.6	350	13.8	39	86
250	10	277	10.9	273	10.8	450	17.7	56	123
300	12	303	11.9	324	12.8	500	19.7	72	159
350	14	375	14.8	451	17.8	550	21.7	115	254
400	16	400	15.7	502	19.8	600	23.6	143	315
450	18	431	17.0	563	22.2	600	23.6	177	390
500	20	456	18.0	614	24.2	600	23.6	222	489
600	24	507	20.0	715	28.2	600	23.6	321	708
700	28	557	21.9	816	32.1	700	27.6	331	730
750	30	584	23.0	869	34.2	750	29.5	-	-
800	32	609	24.0	927	36.5	800	31.5	386	851
900	36	656	25.8	1032	40.6	900	35.4	482	1063
1000	40	707	27.8	1136	44.7	1000	39.4	672	1482
1050	42	707	27.8	1136	44.7	1000	39.4	-	-
1100	44	758	29.8	1238	48.7	1100	43.3	-	-
1200	48	813	32.0	1348	53.1	1200	47.2	1116	2460
1400	54	918	36.1	1574	65.94	1400	55.1	1592	3502
1500	60	965	38.0	1672	65.83	1500	59.1	1850	4070
1600	66	1018	40.1	1774	75.39	1600	63.0	2110	4642
1800	72	1116	43.9	1974	77.72	1800	70.9	2560	5632
2000	80	1216	47.9	2174	85.59	2000	78.9	3640	8008

**Dimensional drawings** (continued)

- <sup>1)</sup> Weights are appr. for sensor with EN 1092-1 PN 16 flanges without transmitter. With transmitter FMT020 mounted, weight is increased by appr. 1.0 kg (2.2 lb).



Siemens Solution Partner - Automation

 Argentina

Tel: (+54 11) 5352 2500

Email: [info@dastecsrl.com.ar](mailto:info@dastecsrl.com.ar)

Web: [www.dastecsrl.com.ar](http://www.dastecsrl.com.ar)