

## HOW TO ENSURE CONSTANT PRODUCT QUALITY AND PRODUCT SAFETY IN SANITARY APPLICATIONS?

Texture, consistency, enzymatic power, concentration and dry extract are **common viscosity correlations** used in bio, pharma, food and beverage industries. As viscosity changes the flow properties of a liquid, influences the appearance and the consistency of a product, **viscosity measurement is essential in most production stages.**

Whether in the food or the pharmaceuticals industry, the sanitary conditions must be fully respected. The sanitary design on equipment is required in any application where contamination is a risk.

### Manufacturers face numerous constraints:

- To constantly monitor and prevent **product variations**
- To obtain **a better end-product quality** and consistency
- To improve hygienic design, enhancing cleanability **to decrease the risk** of biological, physical and chemical contamination
- To control and enhance product **safety for customers**

### SANITARY BEST SELLER SOLUTION

- +** Viscosity sensor specially designed for sanitary environment (according to **3A specifications**) with no niche spaces
- +** Increased safety by **avoiding contamination and bacteria proliferation**
- +** Clean-in-place design (**CIP**), no need to uninstall it from the process
- +** Corrosion resistant (**316L SS**) and compatible with sanitizing procedures



### Key characteristics:

Low influence of flow rate variations	Small sensor size and weight
High pressure capabilities	Robust and reliable
Sanitary and CIP design	Measures in any positions

### SANITARY APPLICATIONS

Pharma,  
Biotech & cosmetics

Gelatin capsules

Enzymatic reaction  
control

Skincare, lotions,  
toothpastes

Food & Beverage

Concentration  
(dry extract, water  
content)

Spray drying  
(powdered milk)

Cooking  
(melted cheese)

Phase detection

Fermentation

Emulsions, sauces,  
starches, gels, pastes,  
oils...



# SOFRASER

Pioneering viscometry since 1972

## FEATURES & SPECIFICATIONS



### Viscosity sensor



### 9200 transmitter

Typical Full Scale Range: 1000 cP\*

Temperature: up to 200°C\*

Pressure: up to 60 bar\*

Material: 316L SS (electropolish in option)

Ingress Protection: IP67

316L SS tri-clamp mounting flange (2'')\*\*

Cf technical datasheet 358

\* Other available on demand

\*\* Seals with FDA certificate on request

Viscosity transmitter

2-line alphanumeric backlighting LCD screen

1 x 4-20 mA output

Operating temperature: 0-40°C

Panel-mount type

Cf technical datasheet 256

## DASTECS R.L.

Representantes / Distribuidores Exclusivos

Argentina

Tel: (+54 11) 5352 2500

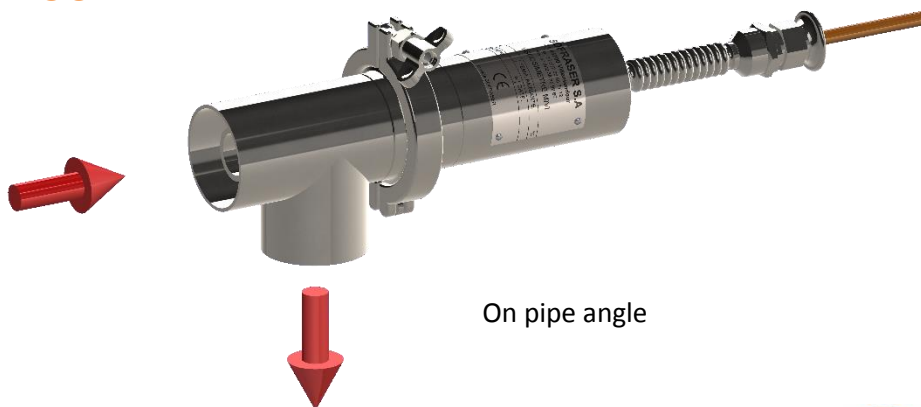
Email: [info@dastecsrl.com.ar](mailto:info@dastecsrl.com.ar)

Web: [www.dastecsrl.com.ar](http://www.dastecsrl.com.ar)

Uruguay [www.dastecsrl.com.uy](http://www.dastecsrl.com.uy)

Paraguay [www.dastecsrl.com.py](http://www.dastecsrl.com.py)

## MAIN MOUNTINGS



On pipe angle

Any questions or specific needs regarding other viscosity solutions?

Let us help you find the best match for your process by **contacting us at:**

[instruments@sofraser.com](mailto:instruments@sofraser.com)

ZI, 15 rue Nobel  
45700 VILLEMANDEUR  
Tel: +33 (0) 238 85 77 12  
Fax: +33 (0) 238 85 99 65

Ref.370 - Non contractual information

[www.sofraser.com](http://www.sofraser.com)